

ADDING A GSM MODEM TO NOMAD 2

Insert the Shelf Guides

The GSM upgrade kit includes two plastic shelf guides.

1. Open the Nomad 2's front panel by unscrewing the captive screws at the upper corners and tilting the panel down.
2. Snap the plastic shelf guides into the upper-most holes available, one on each side of the compartment.
3. Test the guides by sliding the modem shelf into place and then removing it.

Install the Antenna Connector

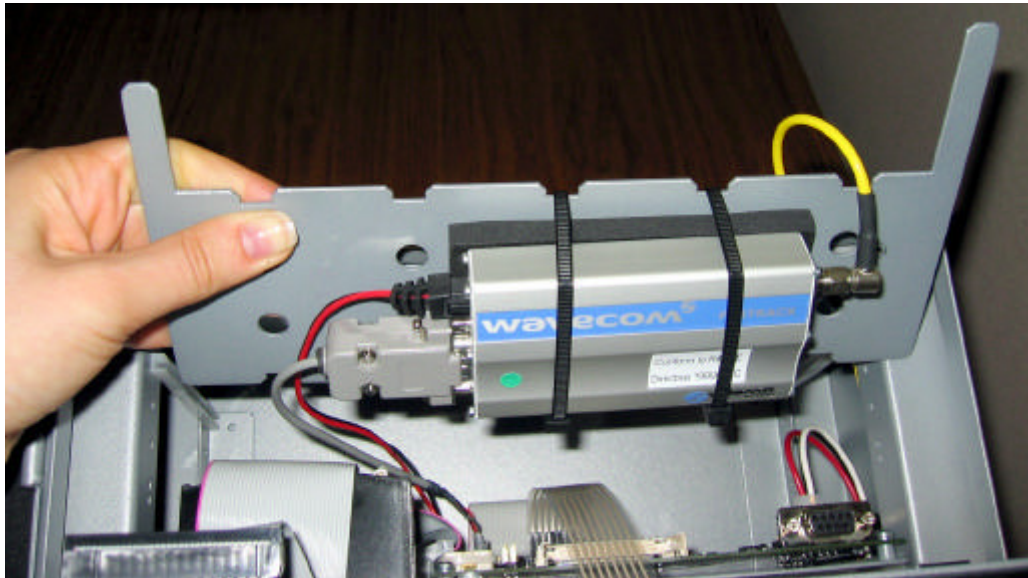
The Nomad 2 comes with a plastic plug that needs to be removed to install the antenna connector. The plug is located in the lower right section of the upper compartment, in the wall separating the upper and lower compartments.



1. Open the Nomad 2's interface board by unscrewing the captive screws at the upper corners and tilting the panel down.
2. Using a pair of pliers, squeeze the plug down from the upper compartment.
3. Remove the black cap, nut, and washer from the end of the antenna connector. Insert the threaded end of the connector into the hole from the upper compartment.
4. Attach the washer and nut to the antenna connector on the lower compartment side, and tighten.

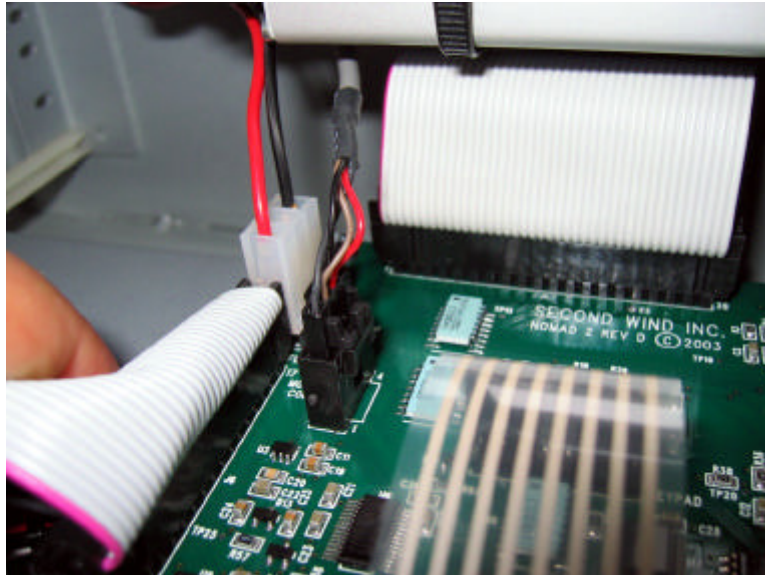
Slide in the Modem

The modem comes pre-mounted to the metal shelf. If your modem is being removed from an older Nomad data logger, you will need to remove all cables from the modem, and mount it to the shelf with the black wire ties provided.



1. Orient the shelf so that the modem is on the bottom and the cables are coming out of the left side of the modem.
2. Slide the modem into the plastic guides. The left side of the shelf is shorter than the right side, so that it doesn't interfere with the LCD display of the logger.

Connect the Cables



1. The power and signal cables connect from the GSM modem to the Nomad 2's main board. Both cables connect to the left-rear section of the board, next to the display ribbon cable. It is impossible to connect them in the wrong orientation. It may help to slide the main board out a little.
2. Remove the red cap from the right side of the GSM modem, and connect the antenna cable to the modem.

Mount the 12V Rechargeable Battery

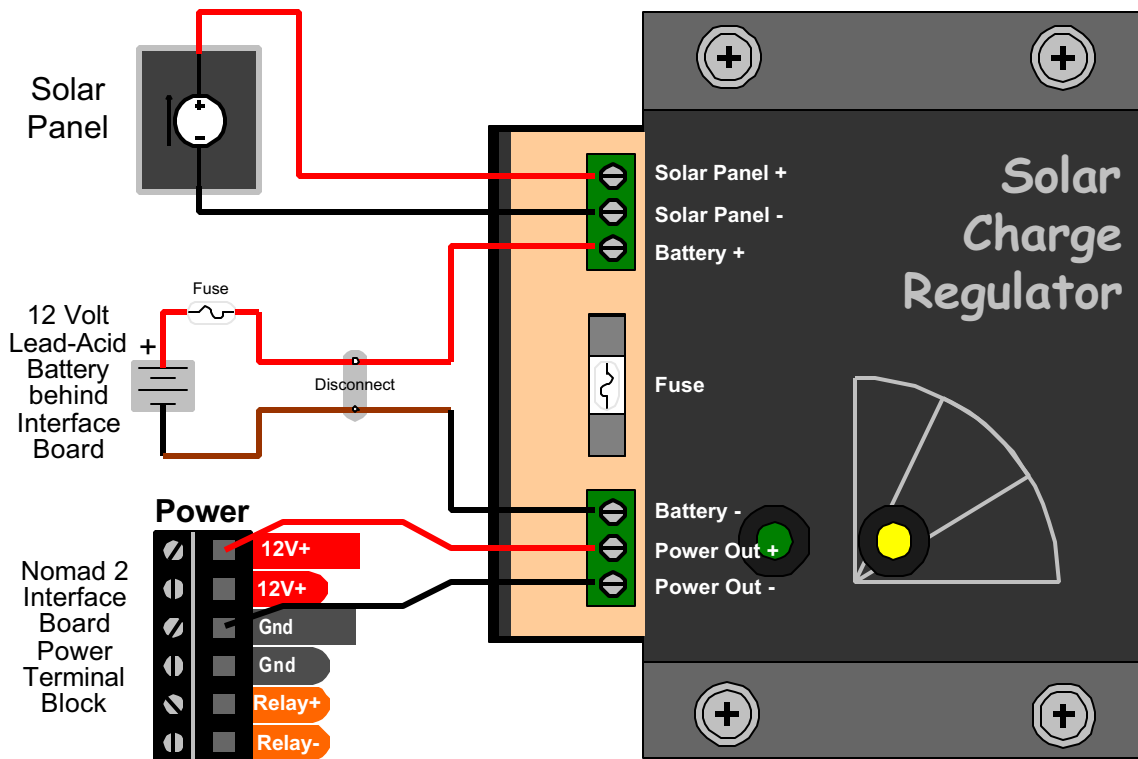
The 12V rechargeable battery is included with the "GSM Package", but not with the "GSM Modem." The 12V battery is pre-attached to a shelf, which allows it to mount easily into the Nomad 2 enclosure.

1. Unscrew the captive screws on the Interface Board (lower section of the Nomad 2) and rotate the Interface Board down.
2. If necessary, disconnect the ribbon cable connecting the upper section of the Nomad 2 to the Interface Board.
3. Align the mounting holes in the battery shelf with the studs on the inside back wall of the Nomad 2 enclosure, and slide the shelf down to lock.
4. Place the screw in the top center of the shelf and tighten.
5. Reconnect the ribbon cable, and rotate up the Interface Board. Tighten the captive screws.

Mount the Solar Charge Regulator

The solar charge regulator mounts onto the Interface Board of the Nomad 2, and it controls the energy coming in from the solar panel and going on to the 12V battery.

1. Align the solar charge regulator with the white outline on the top left section of the Interface Board.
2. Two of the corners have studs that fit into the alignment holes. The remaining two corners have holes. Using the included screws, nuts, and washers, screw the regulator to the Interface Board.
3. Using the schematic below, wire the charge regulator to battery and the Interface Board.



Connect the Power and Follow the Set-Up Instructions

Connect the power by mating the two molded black connectors between the solar charge regulator and the 12V battery. Follow the instructions Setting Up the Nomad 2 GSM Option for setting up service and configuring the Nomad 2 to work with the modem.