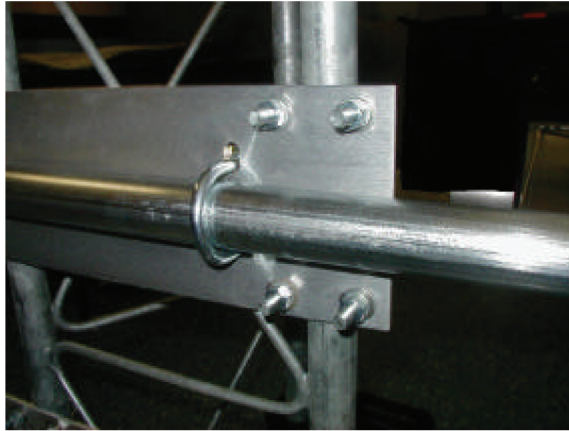
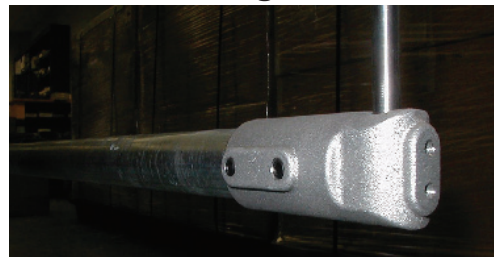


# Available for 12 inch and 18 inch face lattice towers

**Mounting plate, 3/8-16 U-bolts, front view**

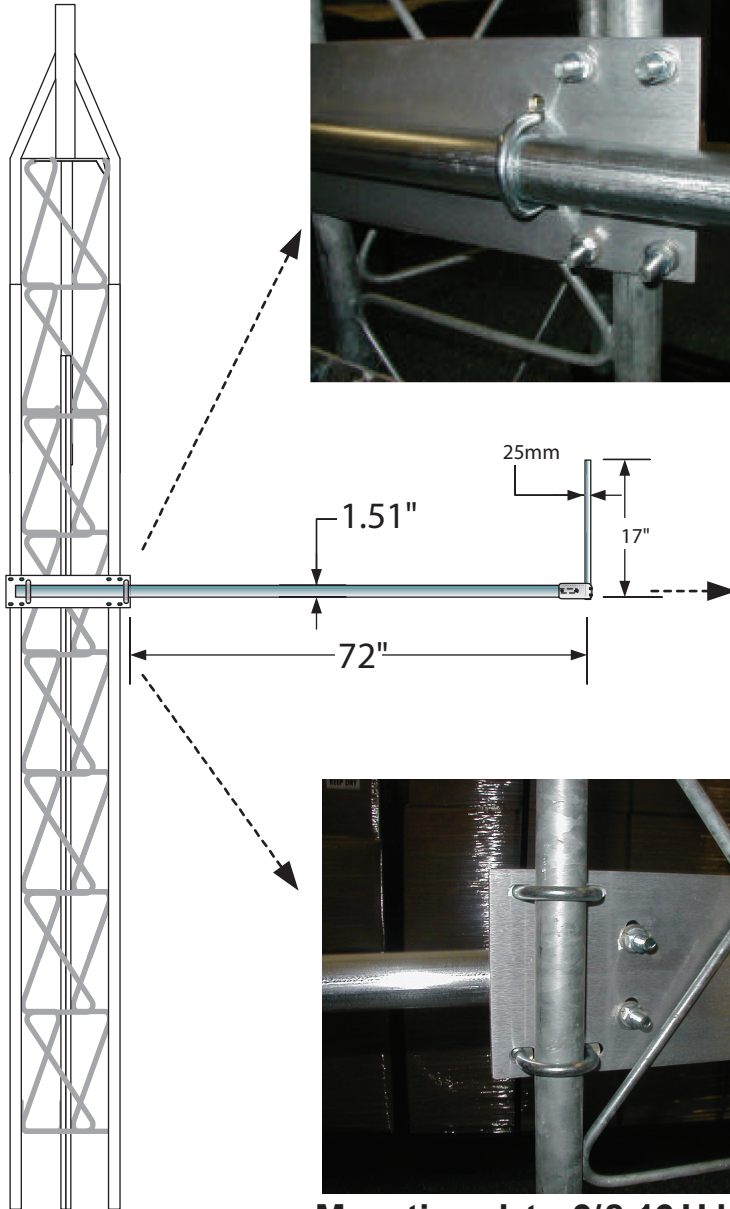


**Boom end fitting**



1/4-20 Set screws, (1/8" hex) secure vertical stub mast.

3/8-16 Set screws, (3/16" hex) secure boom end fitting to steel tube.



**Mounting plate, 3/8-16 U-bolts, rear view**

